

Newport Seat

Thank you for purchasing this Croydex product. Please follow the fixing and care instructions to ensure your shower seat is fitted safely and retains its high quality finish.
Please retain this leaflet for future reference.

This installation guide applies to the following product:

AP504122 - Newport Seat

Tools required - not supplied

Pencil; Tape Measure; Screwdriver appropriate to fixings; Spirit level; Drill; Masonry drill bit appropriate to fixings, Ceramic drill bit (optional) appropriate to fixings.

KEEP DIY TOOLS OUT OF THE REACH OF CHILDREN

Note: Please ensure suitable fixings are purchased that are compatible with wall construction materials.
Home Safety Advice

- It is recommended that two people fit this product to ensure that it is fitted safely.
- Always take care when using power tools, particularly in the bathroom.
- Always check for hidden cables and pipework before drilling and take extreme care if there is any water in the working area.
- It is advisable to use a residual current circuit breaker (RCCB).
- Always wear suitable eye protection when drilling.
- If the product is to be fitted on a ceramic tiled wall, a ceramic drill bit should be used.
- Always ensure that the drill hole passes through the central tiled area rather than through the grouted area. To prevent damage to the tile, mask the area around the hole with tape before drilling.
- Do not strike the product with hard or sharp objects.
- This product is suitable for users up to 130kg / 286lbs / 20st 6lbs
- Double check the drill bit size matches the wall plug diameter before drilling the wall.

Product Care

To retain the best quality finish, clean product regularly with a soft damp cloth.
Do not use abrasive or chemical cleaners as these will damage the product.
Dry the shower seat after use.

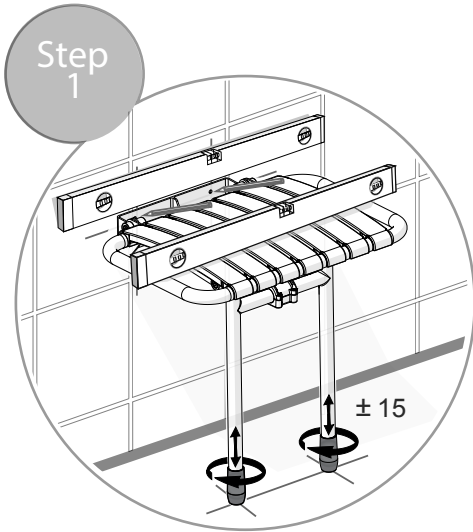
Product Location

Shower seats are only as strong as the wall to which they are fixed and the fixings that are used.
For different wall types you will need to ensure that you are using the correct type of fixing for the material of the wall.

The addition of backboards on the outside of the wall or appropriate strengthening of internal structures may be required to provide adequate wall strength.

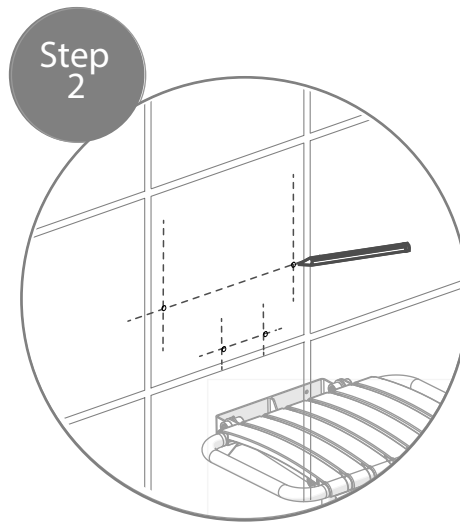
NOTE: If the wall is made of lightweight thermal blocks, aerated hollow brickwork or prefabricated partitions even the most appropriate fixings may not be able to withstand the loads which can be suddenly applied to shower seats.

NOTE: The height of the seat can be adjusted and levelled by rotating the plastic feet, clockwise to increase height, anti-clockwise to reduce height - see Step 1.

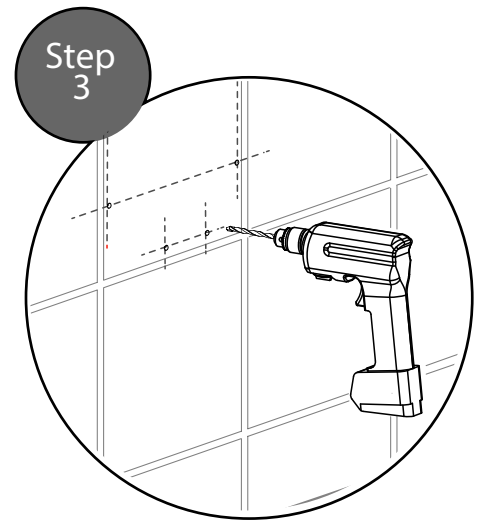


Identify the most appropriate position for the shower seat ensuring the product is at a comfortable height and distance for showering.

The product can be folded upwards for more convenient storage so please ensure there is sufficient space above the fixing to allow for this.

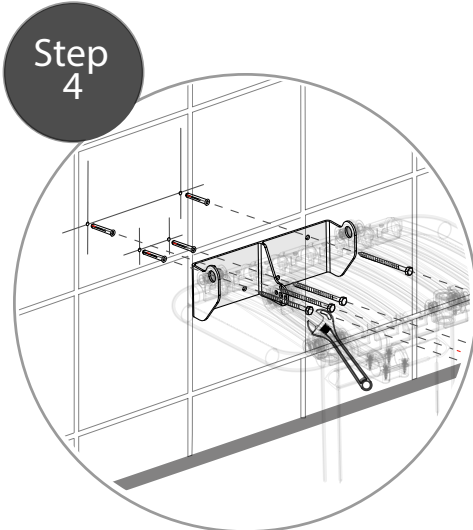


Place the shower seat in the desired position on the wall and using the hole centres located on the wall bracket as a template, mark the screw fixing positions on the wall surface, ensuring the product is level.

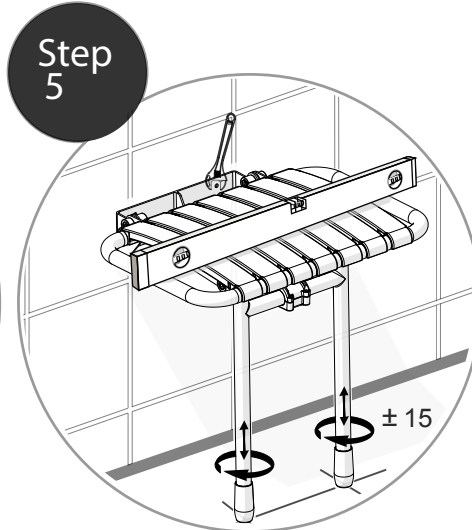


Drill the holes to a depth suitable for the wall fixings you have chosen.

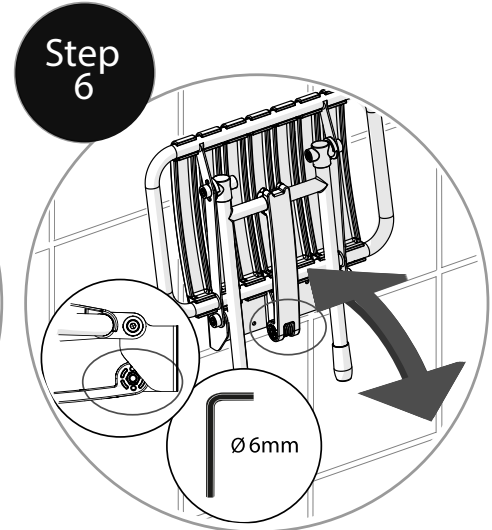
Do not drill through the tiles using a 'hammer action' on the drill as this can crack the tiles.



Use suitable wall fixings to secure the mounting bracket to the wall.




Do-not over-tighten fixings and do not use countersunk screws as these can reduce the strength of the seat and will invalidate any warranty or weight capacity stated.



Check the seat operation, levels and leg positioning when it is raised and lowered. To adjust the rate the seat lowers, tighten the linkage bolt under the seat with a 6mm Allen key.

For details of the other items in the Croydex range please visit our website: www.croydex.com
 Croydex, Central Way, Andover, Hampshire,
 SP10 5AW, UK
 Tel: +44 (0) 1264 365881 Fax: +44 (0) 1264 356437
 E-mail: info@croydex.co.uk


 Do not use fixings with Countersunk heads.
 